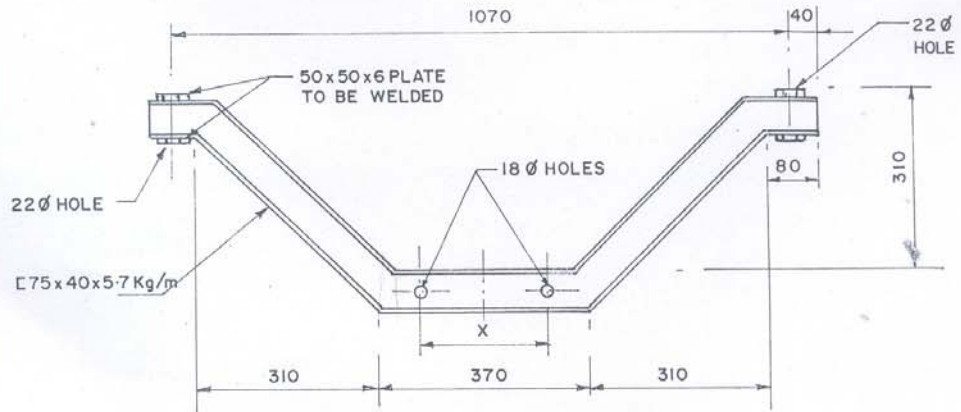
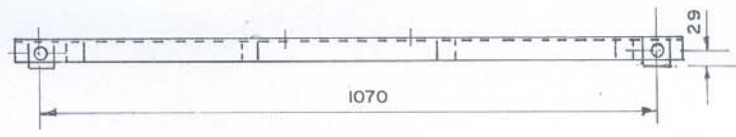


REC
CONSTRUCTION STANDARD
A-6



ELEVATION



PLAN

X :- -TO SUIT THE POLE
NOTE :-AS AN ALTERNATIVE, M.S.ANGLE CROSS-ARM
(A-13) MAY BE USED IF CHANNEL SECTION
AS PER THIS STANDARD IS NOT AVAILABLE

ALL DIMENSIONS ARE IN mm.

११ के.वी. लाईन
V-केंची भुजा
11 KV LINES
V - CROSS ARM

SCALE :- N.T.S

SEPT. - 1972