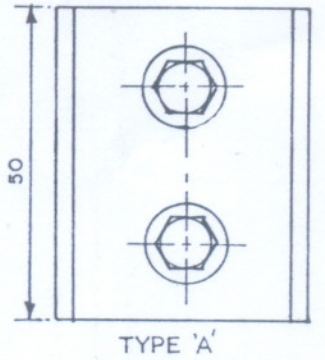
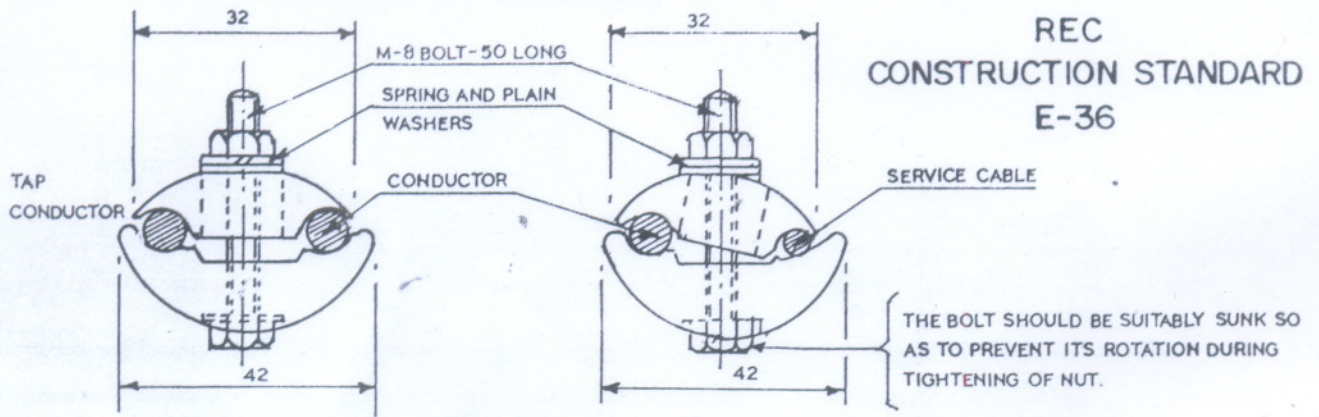
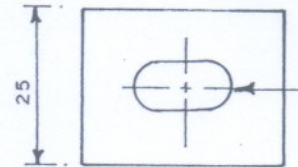
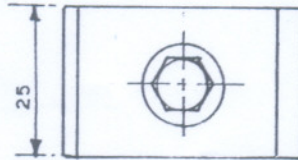


REC
CONSTRUCTION STANDARD
E-36



TYPE 'A'
(SUITABLE FOR JUMPER
CONNECTIONS FOR
LINE-TO-LINE TAPPING)

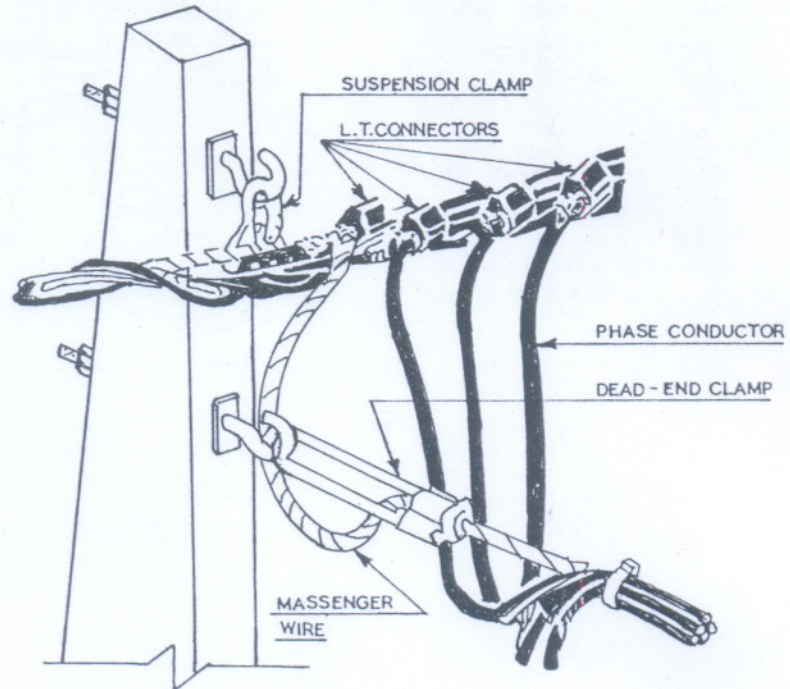


TYPE 'B'
(SUITABLE FOR TAPPING
OF SERVICE CONNECTIONS)

TOP VIEW (WITH BOLT REMOVED) INDICATING
SWIVEL ACTION SO AS TO GRIP CONDUCTORS
OF UNEQUAL SIZES.

एल. टी. कनेक्टर्स (टेंशन रहित)

L.T. CONNECTORS (NON - TENSION)



चित्र १: यथा स्थिति में एल. टी. कनेक्शन की टैपन व्यवस्था

FIG. I: TAPPING ARRANGEMENT SHOWING LT CONNECTIONS IN POSITION.

CONTD. . . .